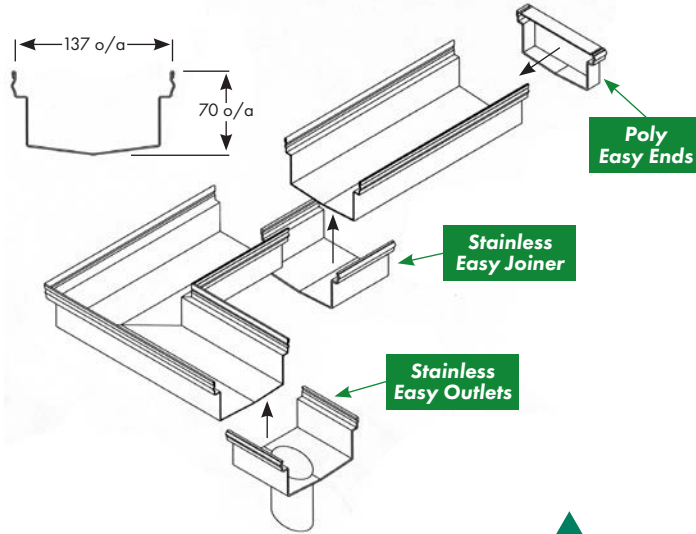
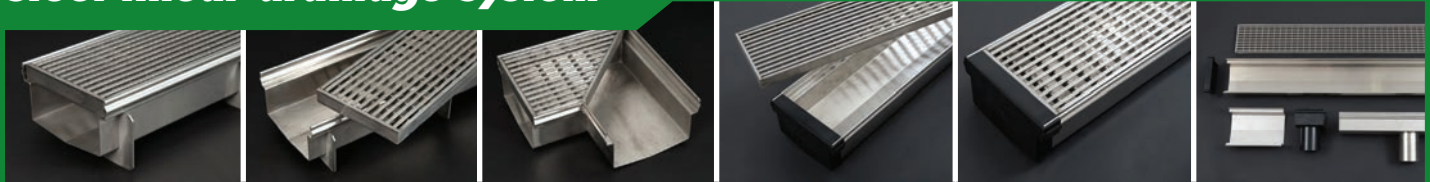


# CLICK DRAIN®

*The revolutionary stainless steel linear drainage system*

*Durable and aesthetic*



- 316 or 304 grade stainless steel
- R11/R12 Slip resist  
AS/NZS 4586:2013 Appendix D
- Load class A, B, C, D –  
To AS/NZS 3996:2006
- Bike safe – AS 3996 (clause 3.3.6)
- Easy site install with choice of 1m or 2m channel length, mitres, end caps and outlets
- Easy lock feature
- Heelguard

**ENVIRODRAINZ**

Phone: +64-9 522 1140. Email: info@envirodrainz.com



[www.clickdrain.co.nz](http://www.clickdrain.co.nz)